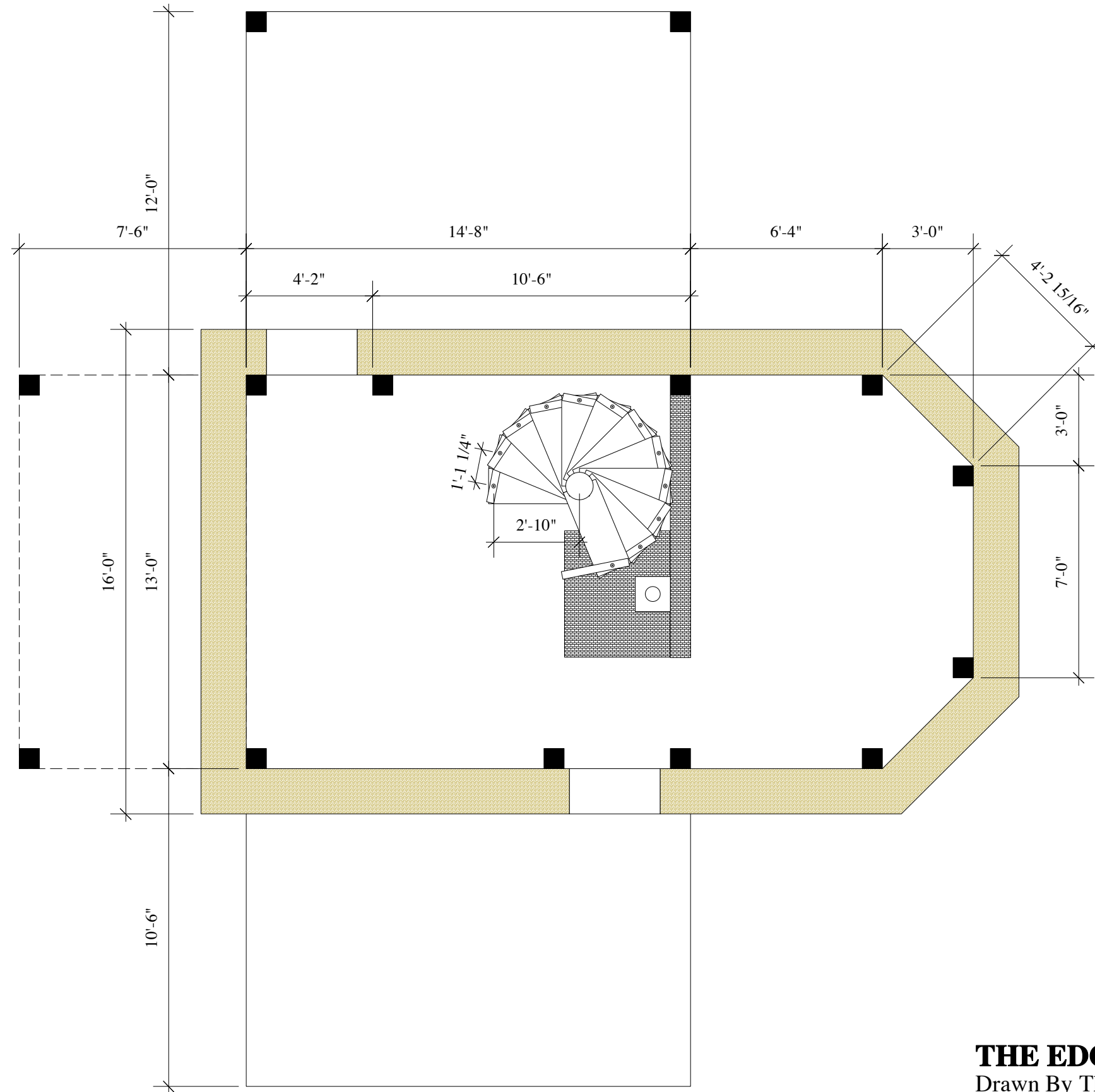


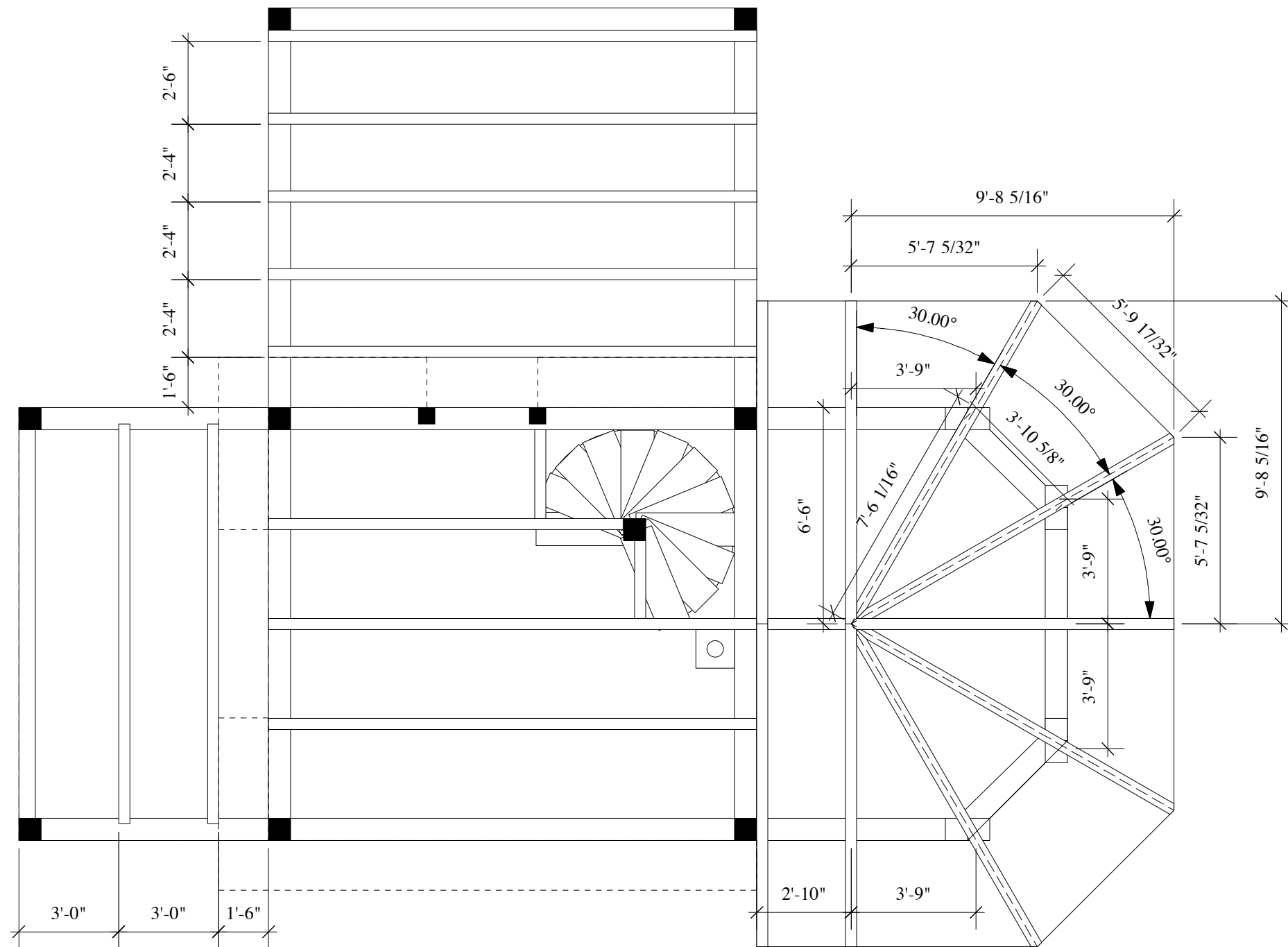
THE EDGEWORKS
Drawn By Thomas Cundiff
9-20-11





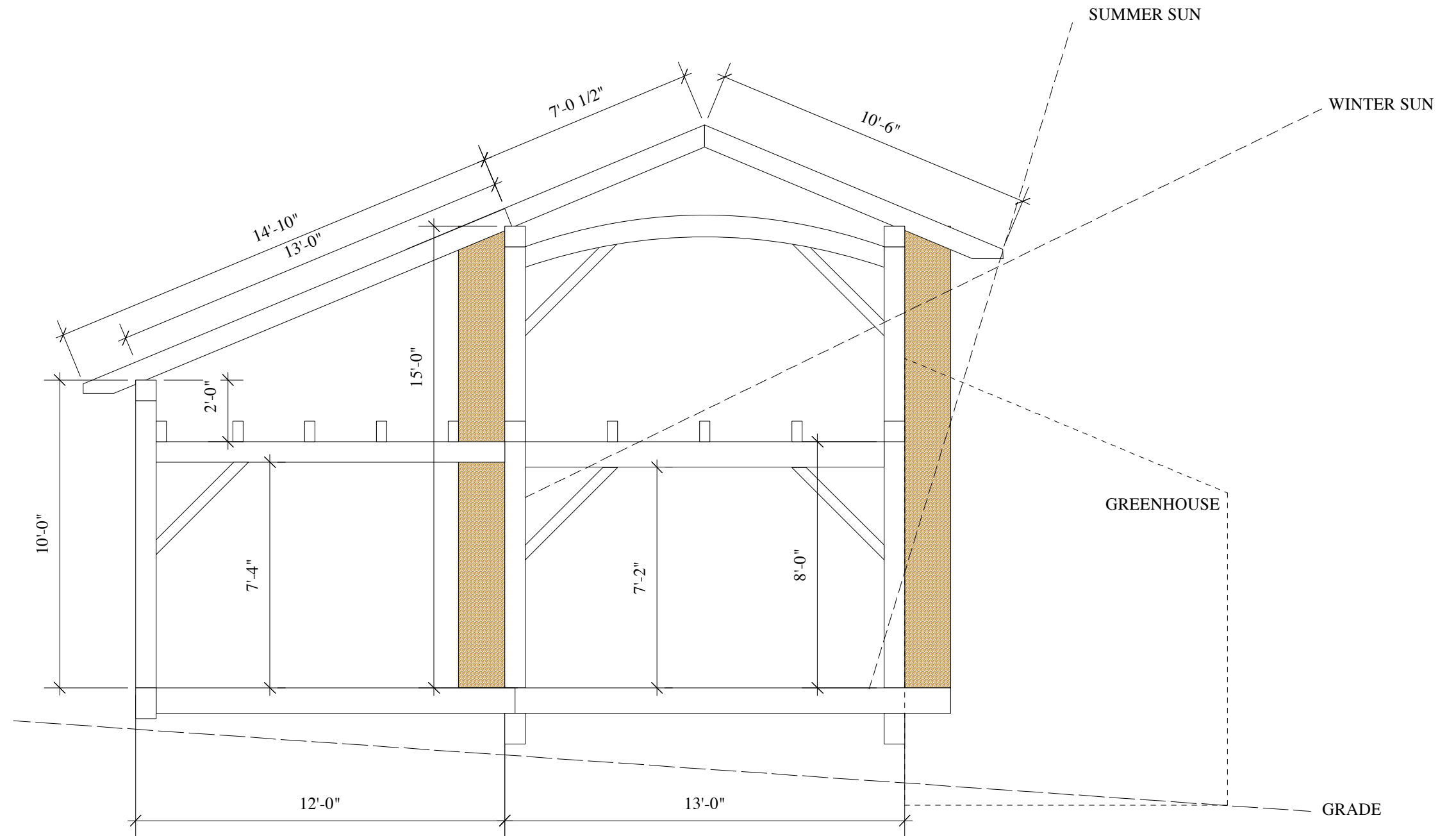
THE EDGEWORKS
 Drawn By Thomas Cundiff
 Scale: 1/4"=1' 6-6-12





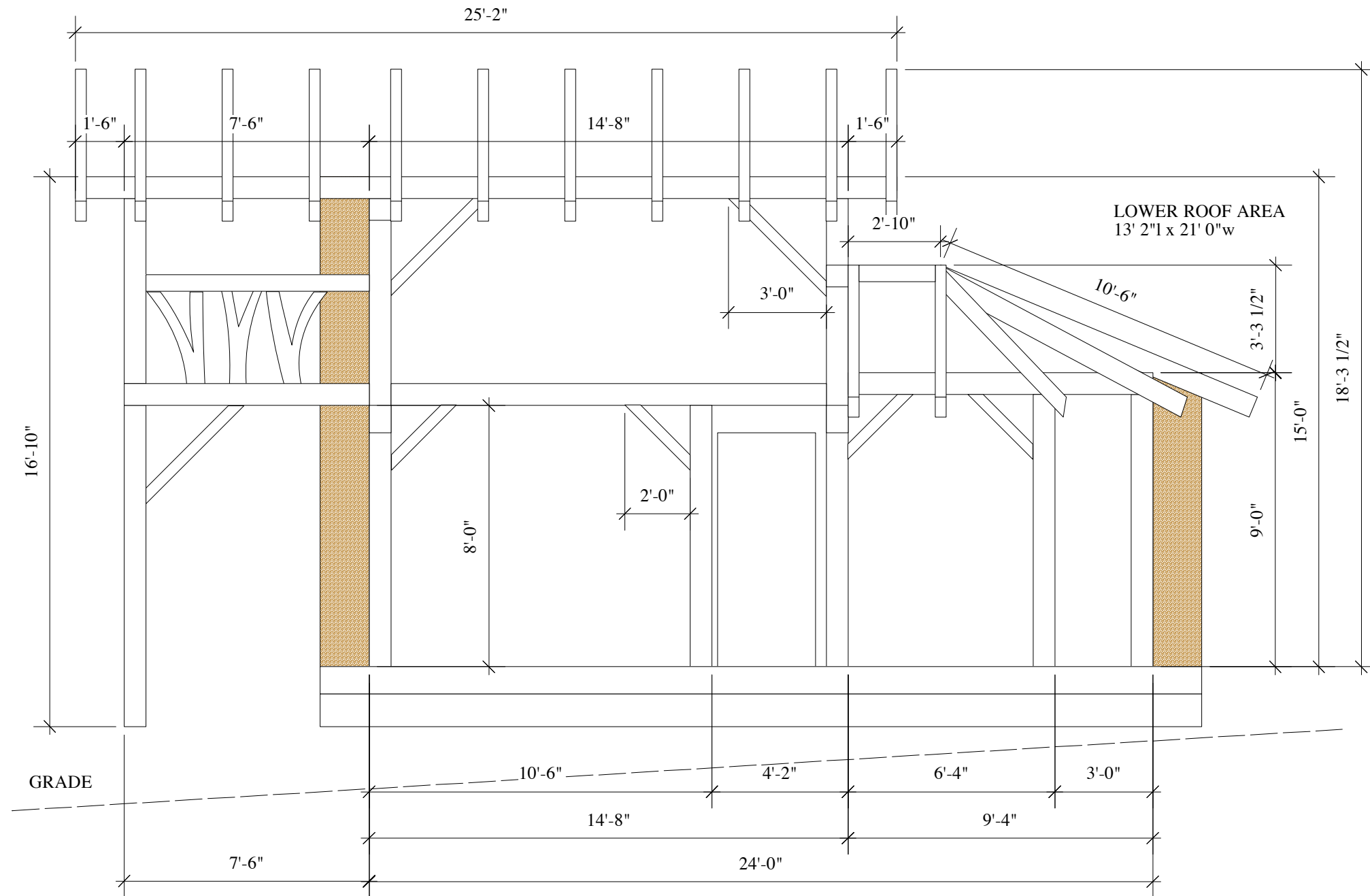
THE EDGEWORKS
 Drawn By Thomas Cundiff
 Scale: 1/4"=1' 6-6-12





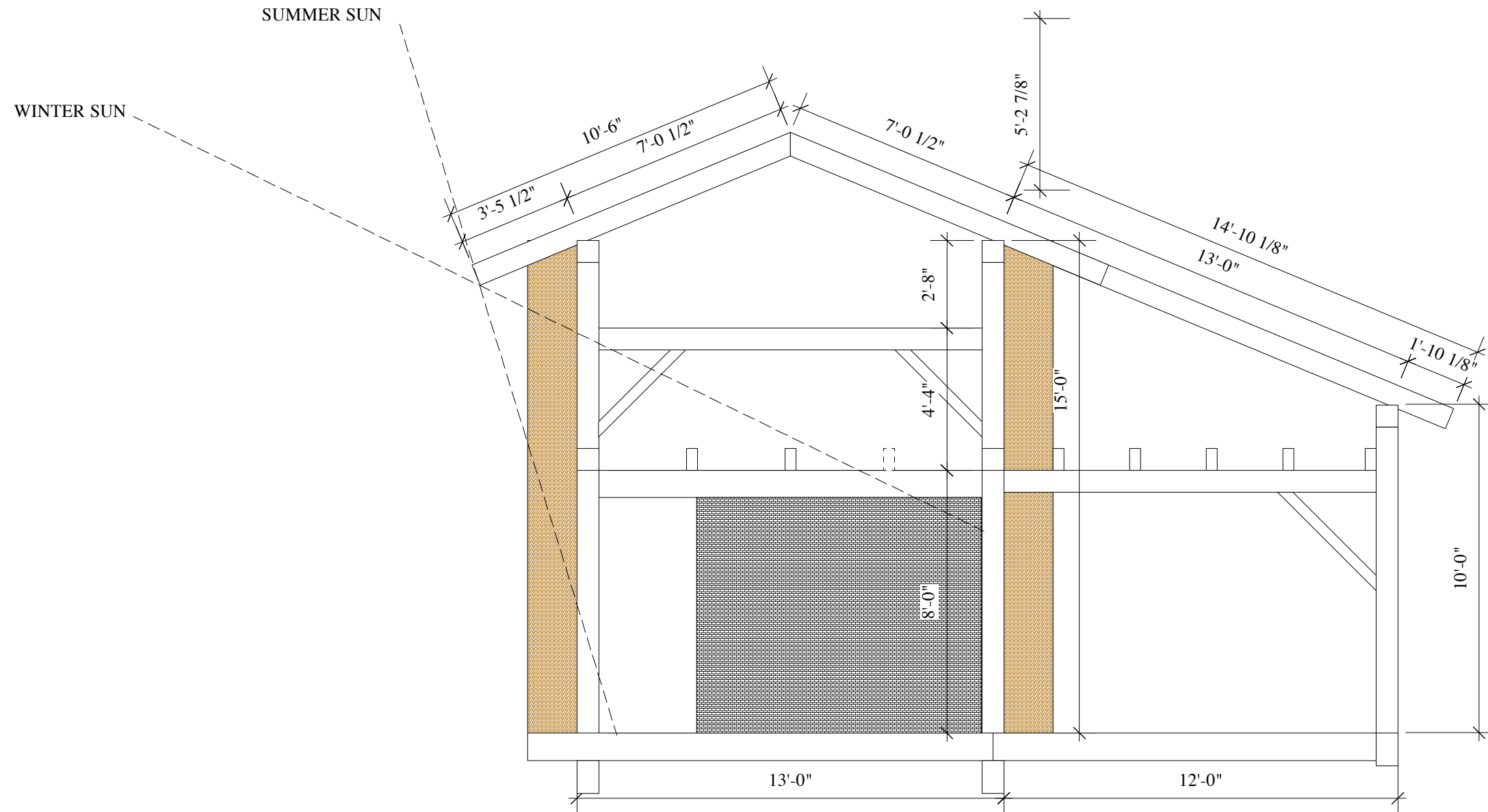
THE EDGEWORKS
 Drawn By Thomas Cundiff
 Scale: 1/4"=1' 6-6-12





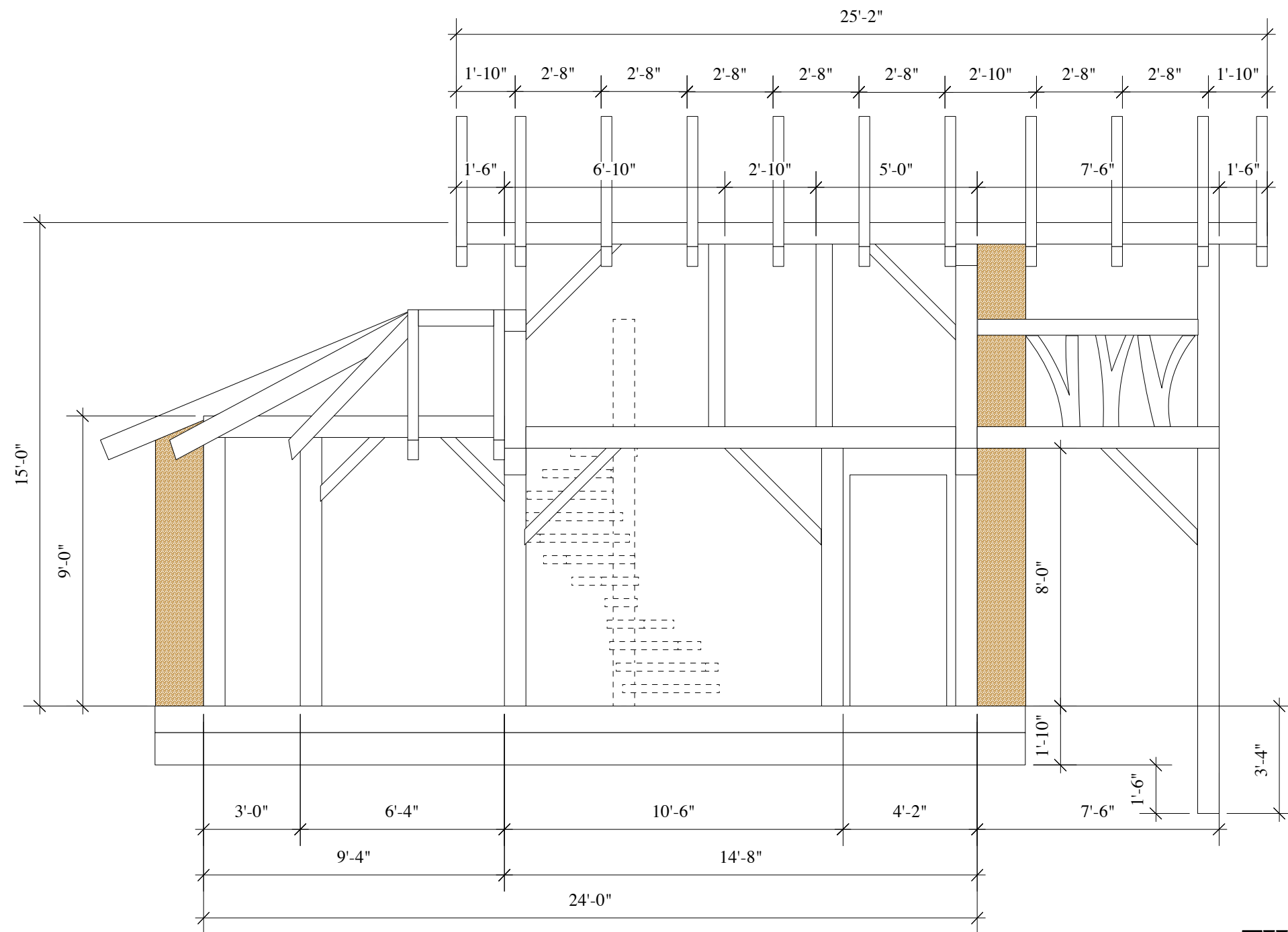
THE EDGEWORKS
 Drawn By Thomas Cundiff
 Scale: 1/4"=1' 6-6-12





THE EDGEWORKS
 Drawn By Thomas Cundiff
 Scale: 1/4"=1' 9-13-11



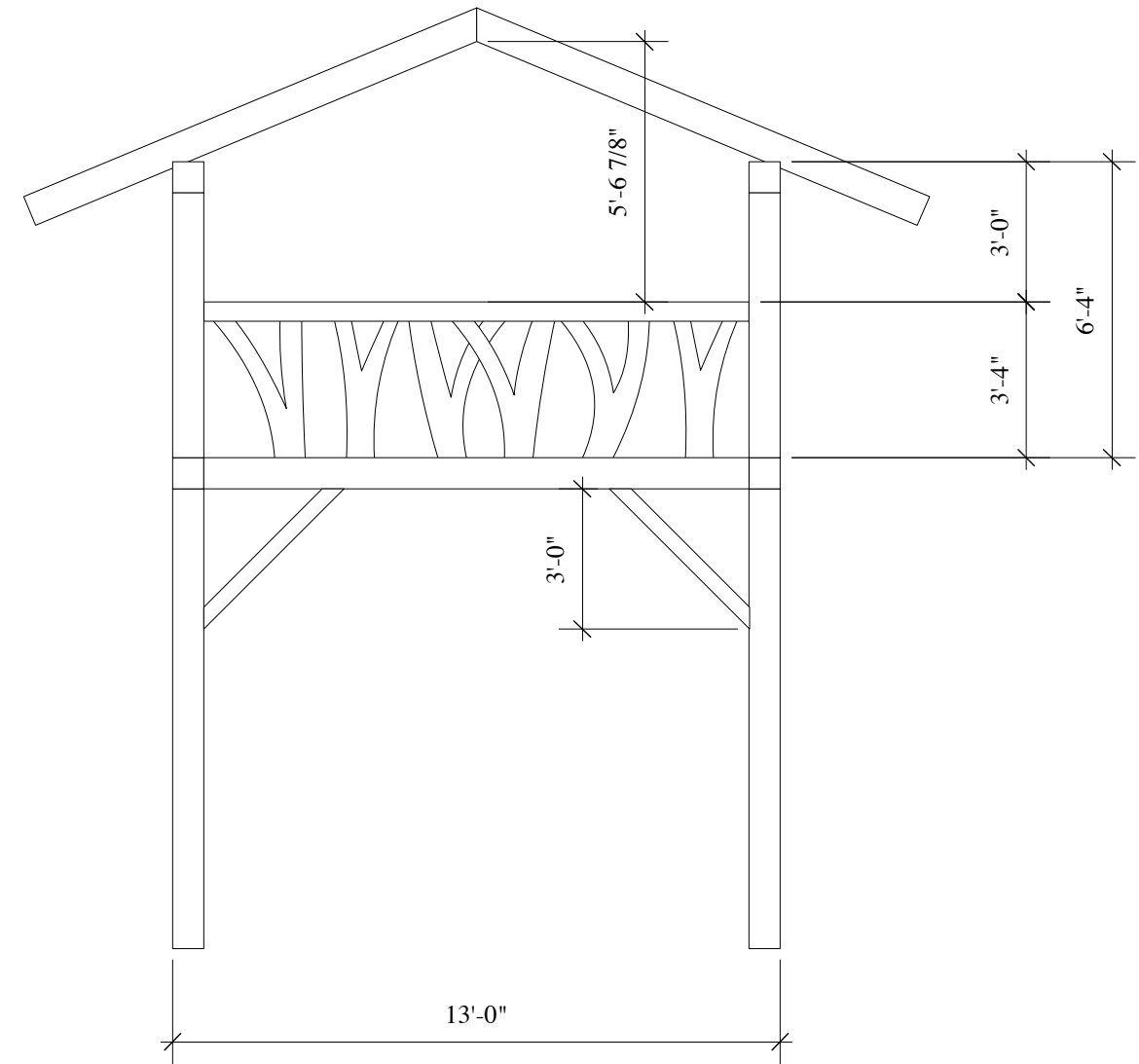
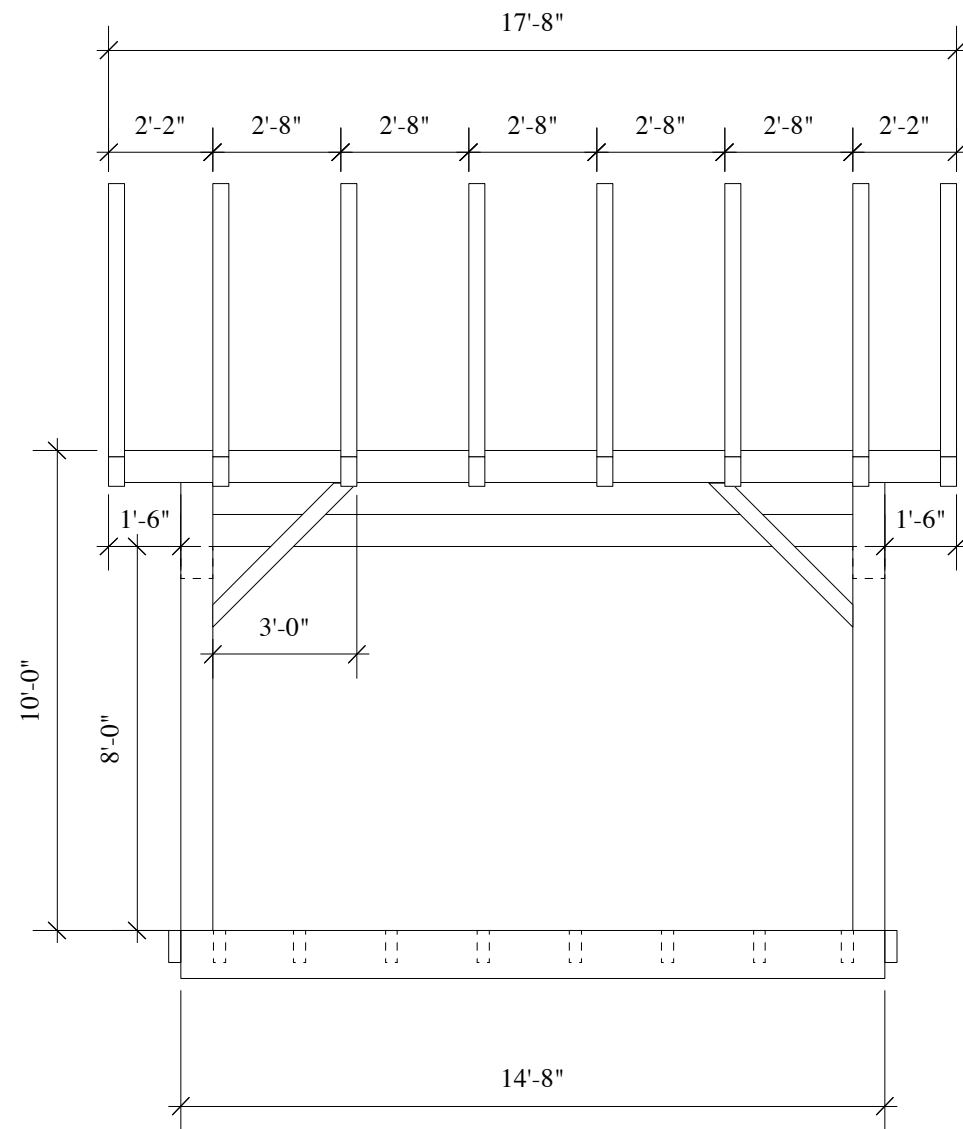


THE EDGEWORKS

Drawn By Thomas Cundiff

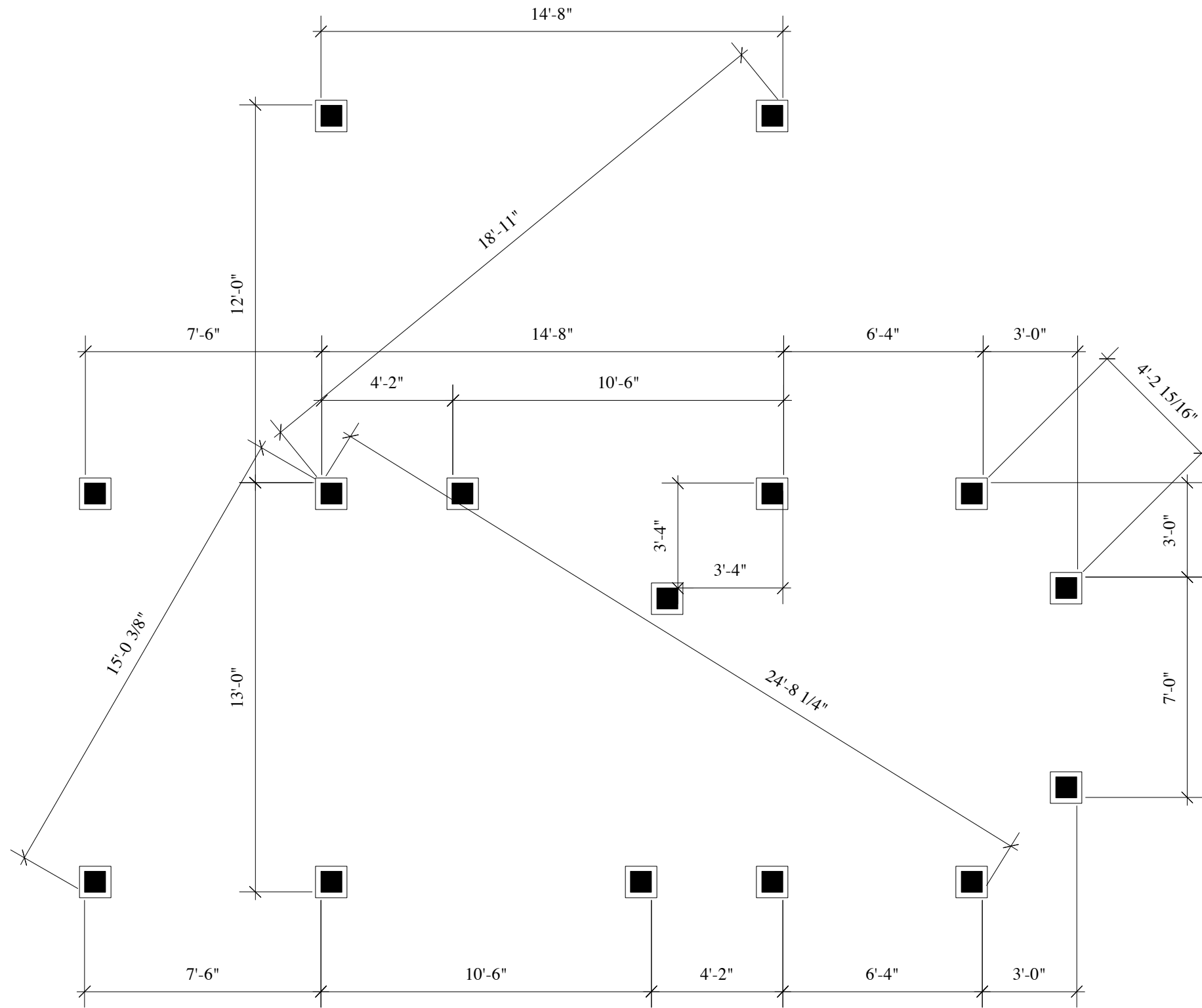
Scale: 1/4"=1' 6-6-12





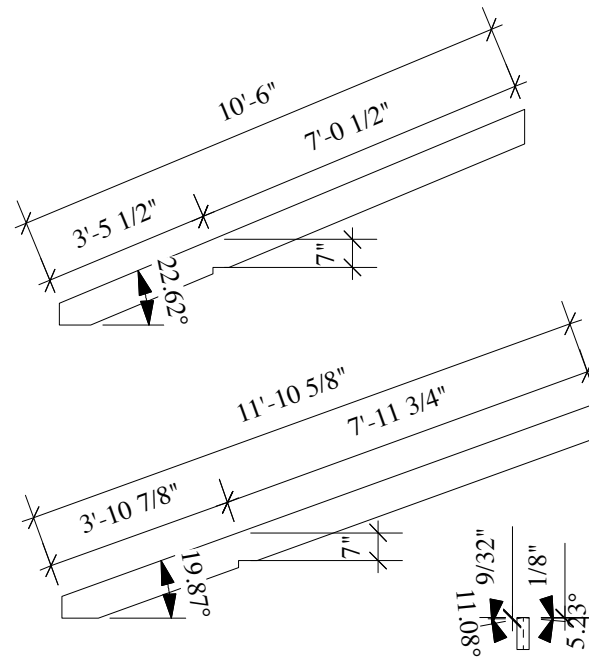
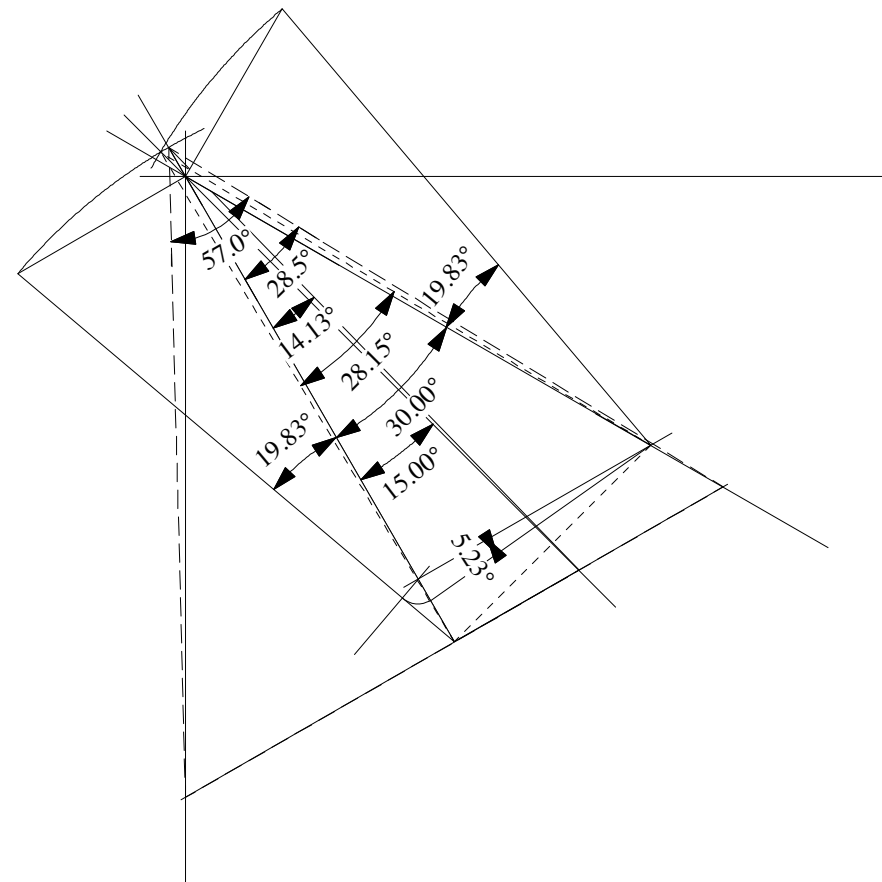
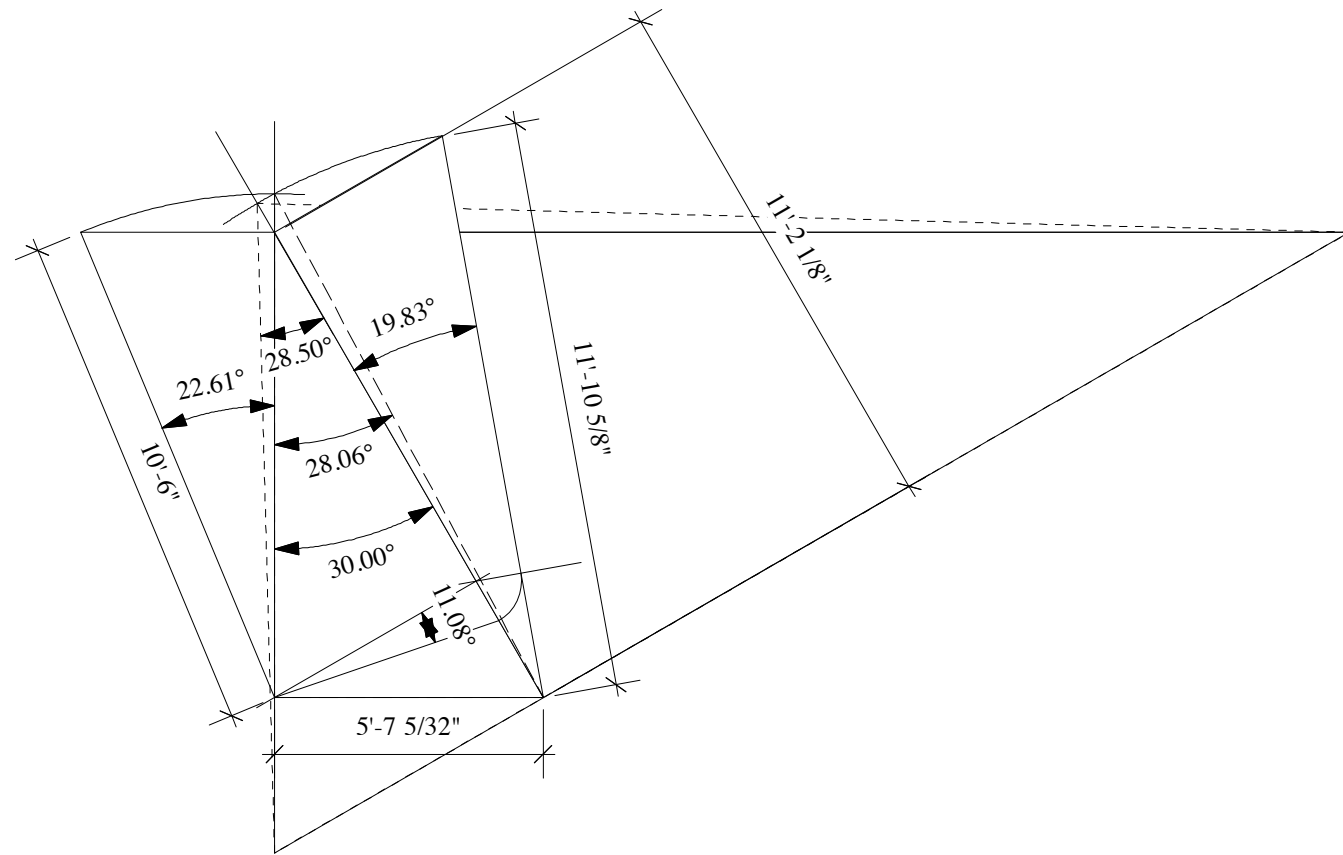
THE EDGEWORKS
 Drawn By Thomas Cundiff
 Scale: 1/4"=1' 6-6-12





THE EDGEWORKS
 Drawn By Thomas Cundiff
 Scale: 1/4"=1' 9-13-11



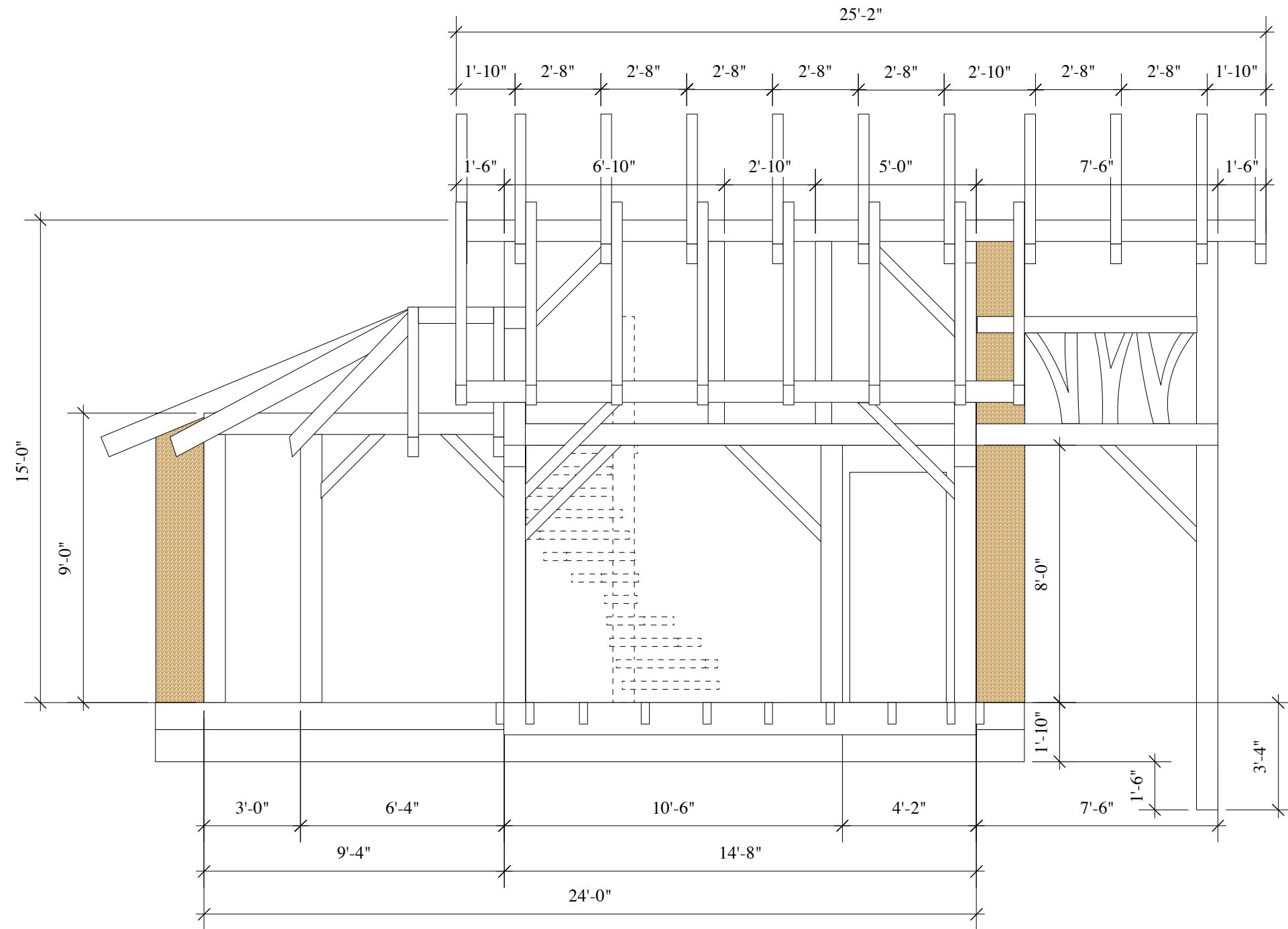


THE EDGEWORKS

Drawn By Thomas Cundiff

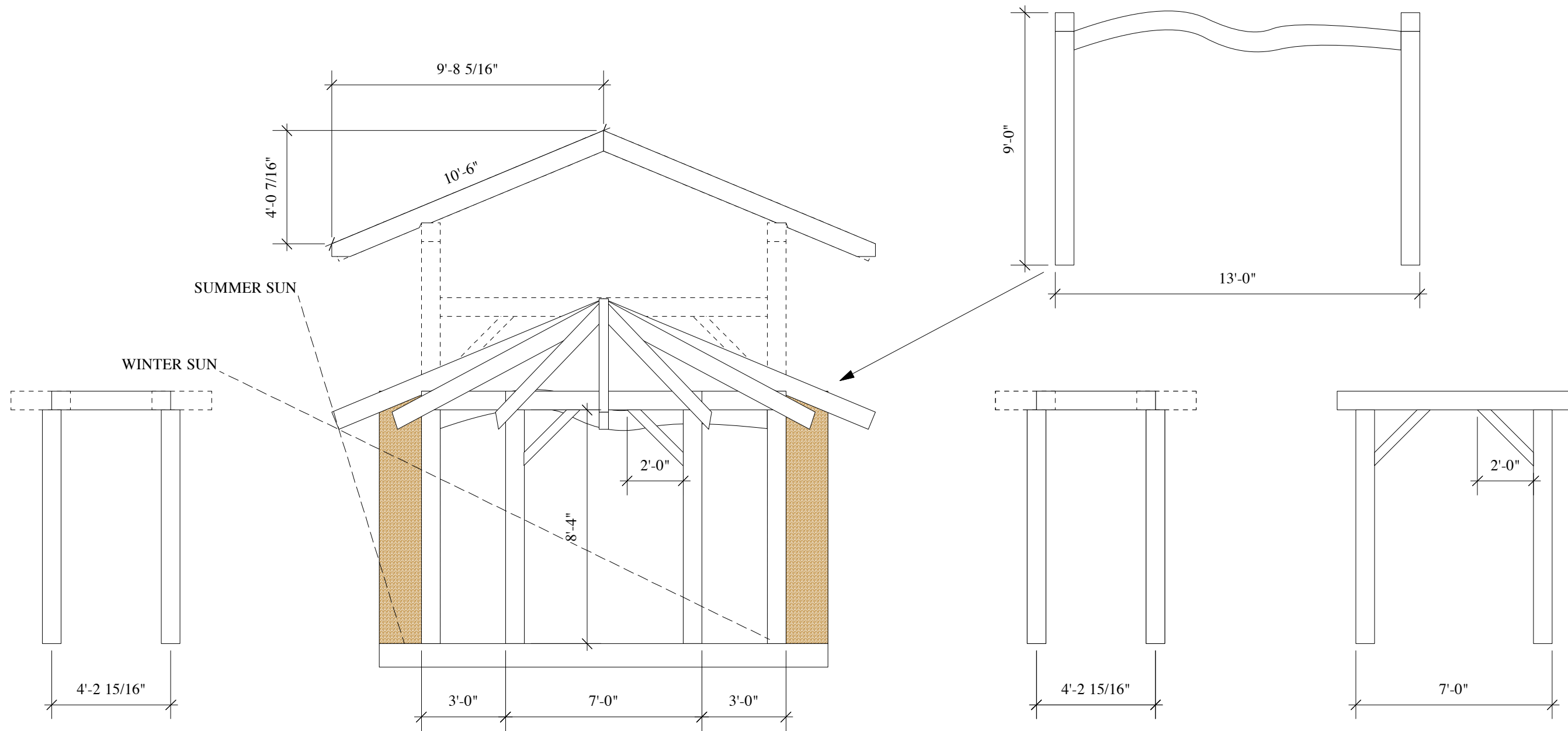
Scale: 1/4"=1' 6-6-12





THE EDGEWORKS
 Drawn By Thomas Cundiff
 Scale: 1/4"=1' 6-6-12





THE EDGEWORKS
 Drawn By Thomas Cundiff
 Scale: 1/4"=1' 6-6-12

